

ERI522DSD

52cm integrated rangehood in dark stainless steel with Hob2Hood technology, maximum airflow of 680 m³/hr and efficient perimeter extraction.

Features

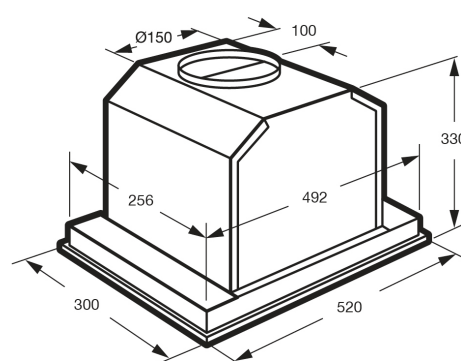
- Hob2Hood technology
- Max airflow of 680m³/h
- Operation noise as low as 51dB(A)
- Multi-layer filters
- Dishwasher safe filters
- LED lighting
- 3 speed fan + Boost Function



Model:
ERI522DSD

Dimensions

Total product height (mm) - 330, Total product width (mm) - 520, Total product depth (mm) - 300, Diameter of ducting (mm) - 150, Minimum installation height from cooking surface Gas (mm) - 650, Minimum installation height from cooking surface Electric (mm) - 600, Cut out width (mm) - 492, Cut out depth (mm) - 259, Cut out height (mm) - 330



*Unless specified in rangehood installation details.